

STANDARD CONDUCTOR LENGTH	LAP JAWING	BERSIMIS	MOOSE	SNOWBIRD	ZEBRA	PANTHER
L in Meters	1800	2100	2400	2600	3000	3500

STANDARD DRAWING

- NOTE :**
- ALL DIMENSIONS ARE IN MM.
 - DRUMS SHALL GENERALLY CONFIRM TO IS 1778-1980 AMENDMENT No.1 of June 1989 EXCEPT OTHERWISE SPECIFIED.
 - ONE LENGTH OF CONDUCTOR SHALL BE WOUND ON EVERY DRUM
 - THE STANDARD LENGTH OF THE CONDUCTOR AND EQUIVALENT SIZE OF CONDUCTOR IS L mtrs (INDICATED IN THE TABLE BELOW) WITH TOLERANCE OF $\pm 5\%$.
 - TOLERANCE ON DIMENSIONS OF WOOD IS + 3mm.
 - TOLERANCE ON STEEL COMPONENTS OF THE DRUM IS ± 0.50 mm.
 - INNER & OUTER SURFACE OF FLANGE & BARREL SHALL BE BITUMIN PAINTED.
 - BARREL & INNER SURFACE OF FLANGE SHALL HAVE WATER PROOF HDPE SHEET
 - OUTER SURFACE OF CONDUCTOR SHALL BE COVERED BY WATER PROOF POLYTHENE PAPER
 - MEDIUM GRADE CRAFT/GREPE/POLYTHENE PAPER SHALL BE USED IN BETWEEN THE LAYERS
 - ALL NUTS OF ROD SHOULD BE TACK WELDED.
 - 3 nos. BINDER SHALL BE USED FOR BINDING THE EXTERNAL LAGGING.
 - FLANGE SHALL BE NAILED IN 5 CIRCLES WITH NAIL SIZE OF 125X4.

DRUM COMPONENTS	MATERIAL SPECIFICATION	QUANTITY	DIMENSION
1. FLANGE	SEASONED WOOD	2	ϕ 2100x100(50+50)
2. BARREL END SUPPORTS	SEASONED WOOD	2	ϕ 600x50
3. BARREL MIDDLE SUPPORT	SEASONED WOOD	1	ϕ 600x100(50+50)
4. OUTER LAGGING	SEASONED WOOD	--	1250x50
5. BARREL BATTENS	SEASONED WOOD	--	1050x75x50
6. SPINDLE PLATE	MS	2	300x300x8
7. BUSH PLATE STUD	MS	8	ϕ 16x180
8. TIE ROD	MS	6	ϕ 22x1325
9. TIE ROD WASHER	MS	12	75x75x6

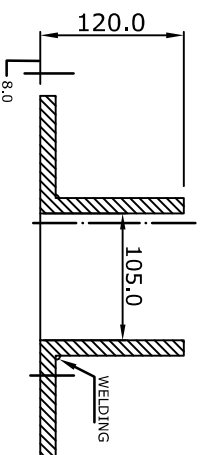
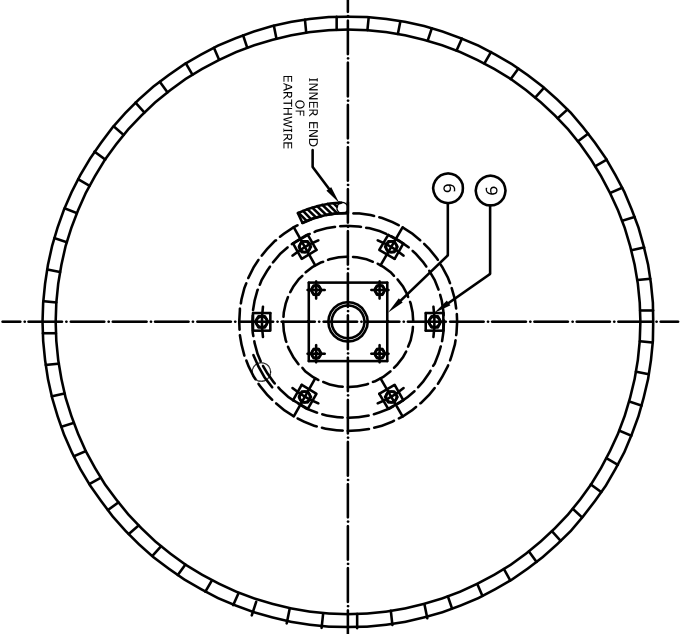
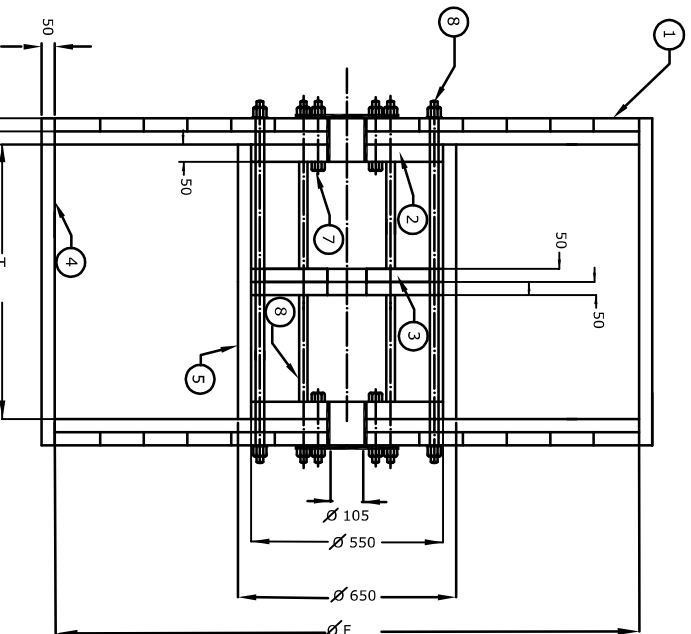
REVISION				CHKD	REWD	APPD	CHECKED	REVIEWED	APPROVED	SCALE	REV.
1	Standard length modified & Panther conductor added.									FOR ACSR/AAAC/AL39 CONDUCTOR	1



पावर ग्रिड कॉर्पोरेशन ऑफ इंडिया लिमिटेड
 (पब्लिक एंटरप्राइज ऑफ इंडिया)
POWER GRID CORPORATION OF INDIA LIMITED
 (A Government of India Enterprise)

WOODEN DRUM DRAWING

FOR ACSR/AAAC/AL39 CONDUCTOR



SPINDLE PLATE

NOTE :

- ALL DIMENSIONS ARE IN MM.
- DRUMS SHALL GENERALLY CONFIRM TO IS 1778-1980 AMENDMENT No.1 Of June 1989 EXCEPT OTHERWISE SPECIFIED.
- TWO LENGTH OF EARTHWIRE SHALL BE WOUND ON EVERY DRUM
- THE STANDARD LENGTH OF THE EARTHWIRE AND EQUIVALENT SIZE OF EARTHWIRE IS L mtrs (INDICATED IN THE TABLE BELOW) WITH TOLERANCE OF $\pm 5\%$.
- TOLERANCE ON DIMENSIONS OF WOOD IS + 3mm.
- TOLERANCE ON STEEL COMPONENTS OF THE DRUM IS ± 0.50 mm.
- INNER & OUTER SURFACE OF FLANGE & BARREL SHALL BE BITUMIN PAINTED.
- BARREL & INNER SURFACE OF FLANGE SHALL HAVE WATER PROOF HOPE SHEET
- OUTER SURFACE OF CONDUCTOR SHALL BE COVERED BY WATER PROOF POLYTHENE PAPER
- MEDIUM GRADE CRAFT/CREPE/POLYTHENE PAPER SHALL BE USED IN BETWEEN THE LAYERS
- ALL NUTS OF ROD SHOULD BE TACK WELDED.
- 3 nos. BINDER SHALL BE USED FOR BINDING THE EXTERNAL LAGGING.
- FLANGE SHALL BE NALLED IN 5 CIRCLES WITH NAL SIZE OF 125X4.

STANDARD DRAWING

STANDARD	7/3.15 MM EARTHWIRE	7/3.66 MM EARTHWIRE	7/4.5 MM EARTHWIRE	19/3.0 MM EARTHWIRE
LENGTH L in Meters	2300	2000	2000	2000
TRAVERSE 'T' (in MM)	700	700	700	900
FLANGE 'F' (in MM)	1400	1400	1500	1500

DRUM COMPONENTS	MATERIAL SPECIFICATION	QUANTITY	DIMENSION
1. FLANGE	SEASONED WOOD	2	ϕ F x100(50+50)
2. BARREL END SUPPORTS	SEASONED WOOD	2	ϕ 550x50
3. BARREL MIDDLE SUPPORT	SEASONED WOOD	1	ϕ 550x100(50+50)
4. OUTER LAGGING	SEASONED WOOD	--	(T+200)x50
5. BARREL BATTENS	SEASONED WOOD	--	TX75x50
6. SPINDLE PLATE	MS	2	200X200X6
7. BUSH PLATE STUD	MS	8	ϕ 16X195
8. TIE ROD	MS	6	ϕ 16X(T+250)
9. TIE ROD WASHER	MS	24	65X65X6

REVISION			
REV. No	DESCRIPTION	CHKD	REWID

CHECKED	REVIEWED	APPROVED	SCALE	REV.
			N.T.S.	1

POWER GRID CORPORATION OF INDIA LIMITED
(A GOVERNMENT OF INDIA ENTERPRISE)

WOODEN DRUM DRAWING FOR EARTHWIRE